

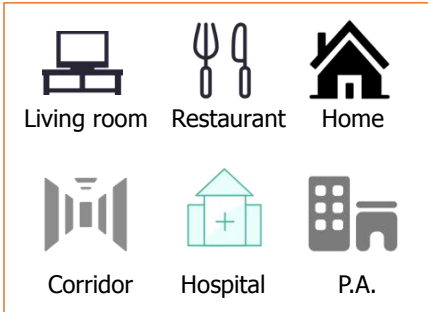
### Features

- ✓ CCT Adjustable
- ✓ CRI>83
- ✓ IP44
- ✓ No Flicker UGR<19
- ✓ Back-Lit and Sid-Lit

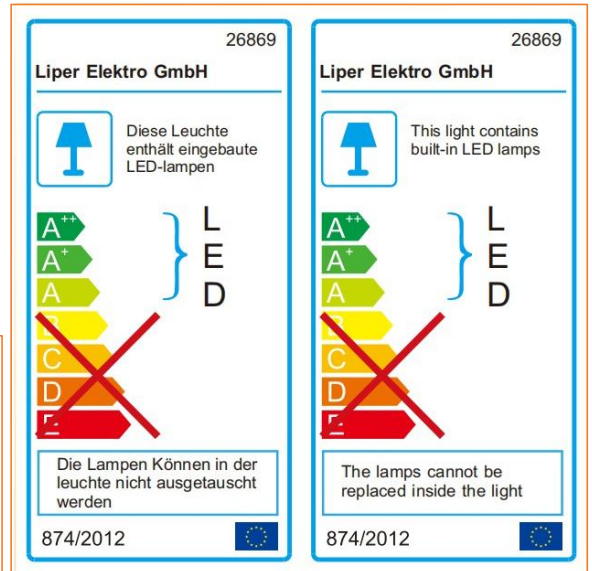
### Benefits

- ✓ High Energy Saving
- ✓ High Efficiency
- ✓ Eye Protection
- ✓ Long Life Time
- ✓ Private Mold

### Application



### Certificate



### specifications

Item Number	Power (W)	Power Factor	Lumen (lm)	Efficiency (lm/W)	Input Current	CRI	Color Temperature	Life Time (hrs)
LPDL-10GS01-Y	10W	>0.5	850-935	85±10%	88mA	>83	WC/CC/NC/CCT	50000
LPDL-15GS01-Y	15W	>0.5	1275-1360	85±10%	120mA	>83	WC/CC/NC/CCT	50000
LPDL-10GS01-YB	10W	>0.5	850-935	85±10%	88mA	>83	WC/CC/NC/CCT	50000
LPDL-15GS01-YB	15W	>0.5	1275-1360	85±10%	120mA	>83	WC/CC/NC/CCT	50000



Technical specifications

On/Off Cycles	>1000,000
Color Tolerance Adjustment (SDCM)	<6
IP	44
Class	II
LED Driver	DOB
LED Beads	S1313-11.2 DC30V/300MA
Housing Color	Black/White
Pressure Resistant	3000V
Wire Diameter and Material	0.75 m <sup>2</sup> Copper Wire

Electrical Supply

Power Range	9-11W	13.5W-16.5W
Frequency (Hz)	50/60	50/60
Voltage (V)	100-240V	100-240V
AC/DC	AC	AC
Input Current	88mA	120mA
Output Voltage	DC30V	DC45V
Output Current	270mA	270mA

Lights Material

Housing Material	Die-Casting Aluminum
Optical Material	Plastic

Temperature

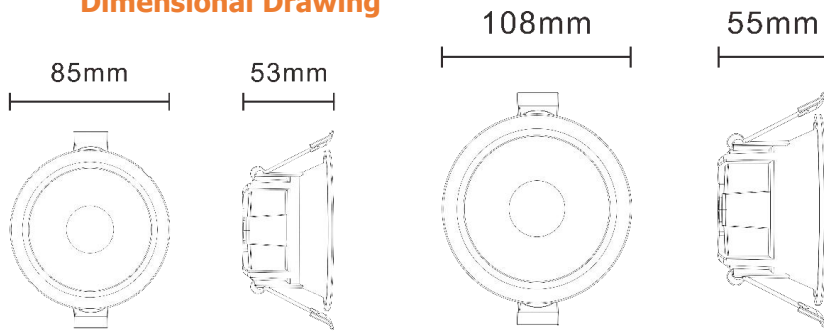
Operating Temperature	-15 °C ~ 50 °C
Testing Temperature	-20 °C ~ 95 °C



### Packing Data

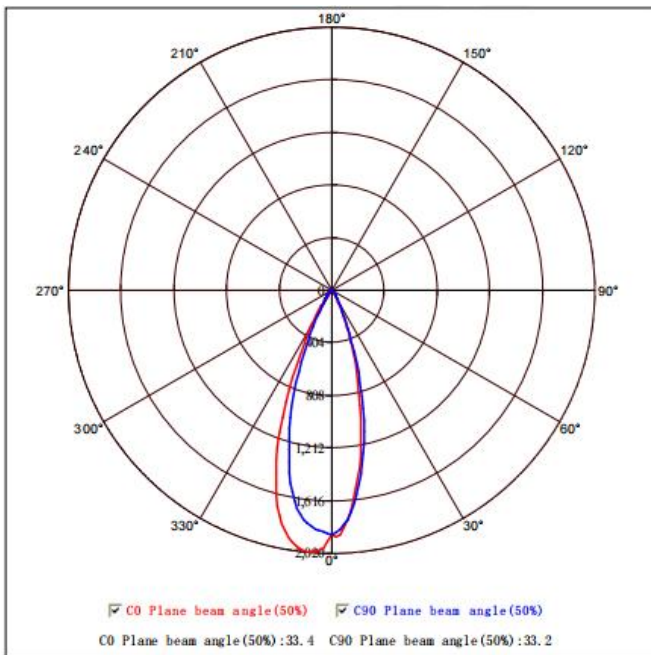
Item No	PCS/CTN	Gross Weight KG	Net Weight KG	Length CM	Width CM	Height CM
LPDL-10GS01-Y	50	9.8	8.4	49.5	27.5	30.5
LPDL-15GS01-Y	48	9.4	8	46	35	26.5

### Dimensional Drawing



Item No	Power	Lights Size (mm)	Cutout Size (mm)
LPDL-10GS01-Y	10W	85x53	Φ 75-80
LPDL-15GS01-Y	15W	108x55	Φ 95-100

### Planar Intensity Distribution Curve



### Average Illumination

