



Features

- ✓ Anti-Glare
- ✓ CRI>83
- ✓ No Flicker UGR<19
- ✓ Elegant Light
- ✓ COB and SMD

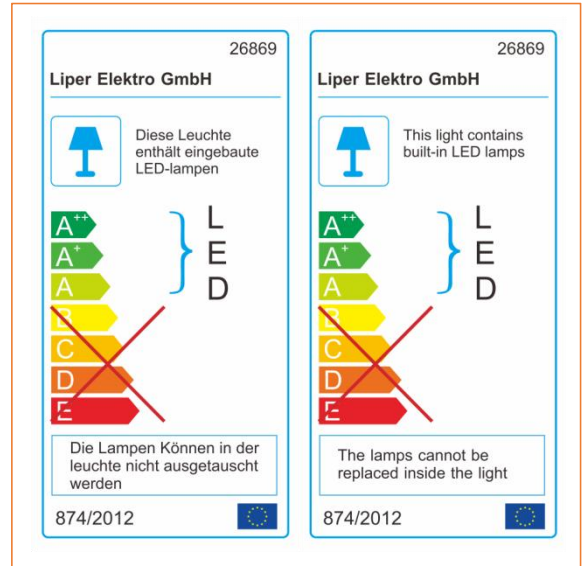
Benefits

- ✓ High Energy Saving
- ✓ High Efficiency
- ✓ Eye Protection
- ✓ Long Life Time
- ✓ Private Mold

Application



Certificate



Light Body



Specifications

Item Number	Power (W)	Power Factor	Lumen (lm)	Efficiency (lm/W)	Input Current	CRI	Color Temperature	Life Time (hrs)
LP-DL10G01-Y	10W	>0.5	780-840	80±10	88mA	>83	CW/NW/WW/CCT	50000
LP-DL15G01-Y	15W	>0.5	1150-1250	80±10	120mA	>83	CW/NW/WW/CCT	50000
LP-DL20G01-Y	20W	>0.5	1550-1650	80±10	160mA	>83	CW/NW/WW/CCT	50000
LP-DL30G01-Y	30W	>0.5	2300-2400	80±10	240mA	>83	CW/NW/WW/CCT	50000



Technical specifications

On/Off Cycles	>100,000
Color Tolerance Adjustment (SDCM)	<6
IP	44
Class	II
LED Driver	DOB
LED Beads	2835 6V/150MA
Housing Color	White/Black
Pressure Resistant	3000V
Wire Diameter and Material	0.75 mm ² Copper Wire

Electrical Supply

Power Range	9-11W	13.5-16.5W	18-22W	27-33W
Frequency (Hz)	50/60	50/60	50/60	50/60
Voltage (V)	100-240	100-240	100-240	100-240
AC/DC	AC	AC	AC	AC
Input Current	88mA	120mA	160mA	240mA
Output Voltage	DC60V	DC108V	DC78V	DC78V
Output Current	150mA	120mA	230mA	240mA

Lights Material

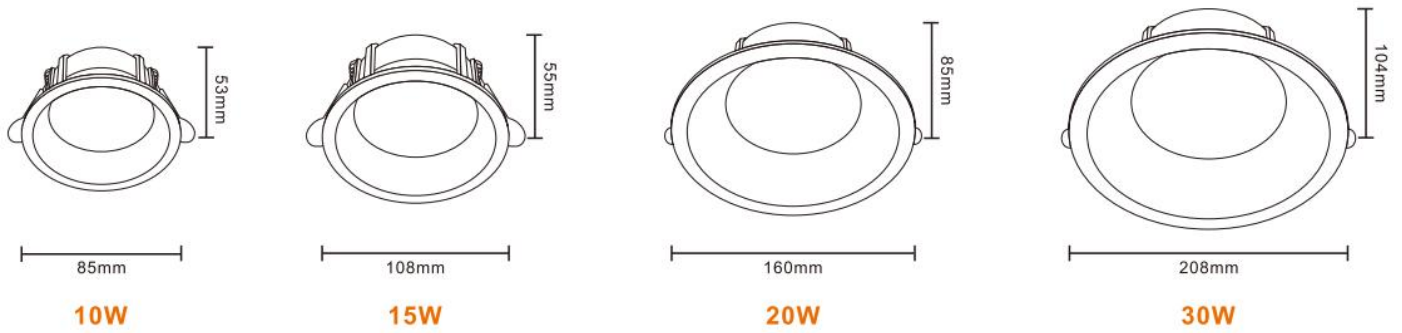
Housing Material	Die-casting Aluminum
Optical Material	Plastic

Temperature

Operating Temperature	-15°C ~ 50 °C
Testing Temperature	-20°C ~ 95 °C



Dimensional Drawing

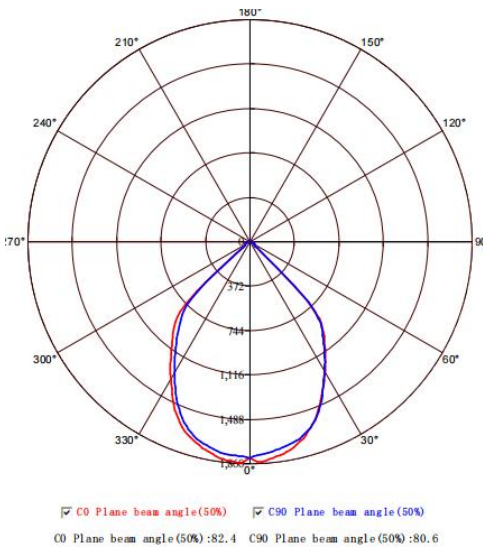


Item No	Power	Body Size (mm)	Cut Out Size (mm)
LP-DL10G01-Y	10W	85*53	75-80
LP-DL15G01-Y	15W	108*55	95-100
LP-DL20G01-Y	20W	165*85	145-150
LP-DL30G01-Y	30W	215*104	190-200

Packing Data

Item No	PCS/CTN	Gross Weight KG	Net Weight KG	Length CM	Width CM	Height CM
LP-DL10G01-Y	60	9.8	8.4	40	30	35
LP-DL15G01-Y	48	9.4	8	46	35	26.5
LP-DL20G01-Y	18	7.8	5.2	52	34.5	28.5
LP-DL30G01-Y	6	4.6	2.8	45	35	23

Planar Intensity Distribution Curve



Average Illumination

