



Features

- ✓ CCT Adjustable
- ✓ CRI>83
- ✓ IP65 Waterproof
- ✓ No Flicker
- ✓ Up&Down and Side Lit

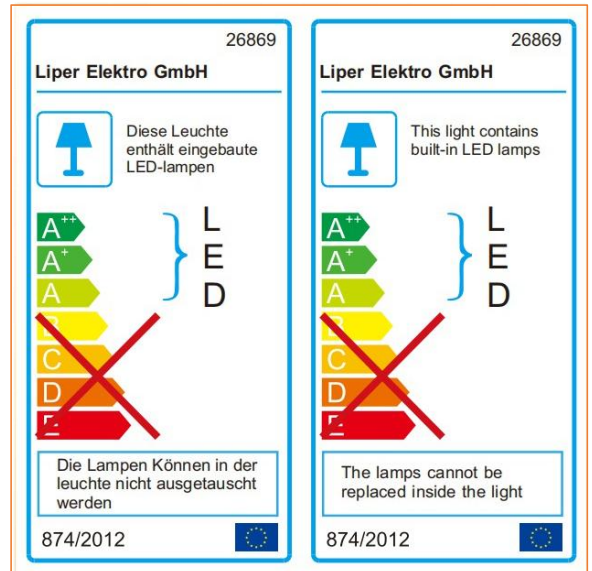
Benefits

- ✓ High Energy Saving
- ✓ High Efficiency
- ✓ Eye Protection
- ✓ Long Life Time
- ✓ Private Mold

Application



Certificate



specifications

| Item Number | Power (W) | Power Factor | Lumen (lm) | Efficiency (lm/W) | Input Current | CRI | Color Temperature | Life Time (hrs) |
|--------------|-----------|--------------|------------|-------------------|---------------|-----|-------------------|-----------------|
| LPWL-08C01-Y | 2*4W | >0.5 | 440-480 | 55±10 | 72mA | >83 | 3000K | 50000 |
| LPWL-08C01-Y | 2*4W | >0.5 | 440-480 | 55±10 | 72mA | >83 | 4000K | 50000 |
| LPWL-08C01-Y | 2*4W | >0.5 | 440-480 | 55±10 | 72mA | >83 | 6500K | 50000 |
| LPWL-08C01-Y | 2*4W | >0.5 | 440-480 | 55±10 | 72mA | >83 | CCT | 50000 |
| LPWL-12C01-Y | 2*6W | >0.5 | 660-720 | 55±10 | 110mA | >83 | 3000K | 50000 |
| LPWL-12C01-Y | 2*6W | >0.5 | 660-720 | 55±10 | 110mA | >83 | 4000K | 50000 |
| LPWL-12C01-Y | 2*6W | >0.5 | 660-720 | 55±10 | 110mA | >83 | 6500K | 50000 |
| LPWL-12C01-Y | 2*6W | >0.5 | 660-720 | 55±10 | 110mA | >83 | CCT | 50000 |



Technical specifications

| | |
|-----------------------------------|----------------------------------|
| On/Off Cycles | 100,000 |
| Color Tolerance Adjustment (SDCM) | <6 |
| IP | 65 |
| Class | I |
| LED Driver | DOB |
| LED Beads | 2835 3V/150MA |
| Housing Color | Black |
| Pressure Resistant | 1500V |
| Wire Diameter and Material | 0.75 mm ² Copper Wire |

Electrical Supply

| | | |
|----------------|----------|------------|
| Power Range | 7.2-8.8W | 10.8-13.2W |
| Frequency (Hz) | 50/60 | 50/60 |
| Voltage (V) | 100-240 | 100-240 |
| AC/DC | AC | AC |
| Input Current | 72mA | 110mA |
| Output Voltage | DC42V | DC78V |
| Output Current | 170mA | 140mA |

Lights Material

| | |
|------------------|----------------------|
| Housing Material | Die-Casting Aluminum |
| Optical Material | Plastic |

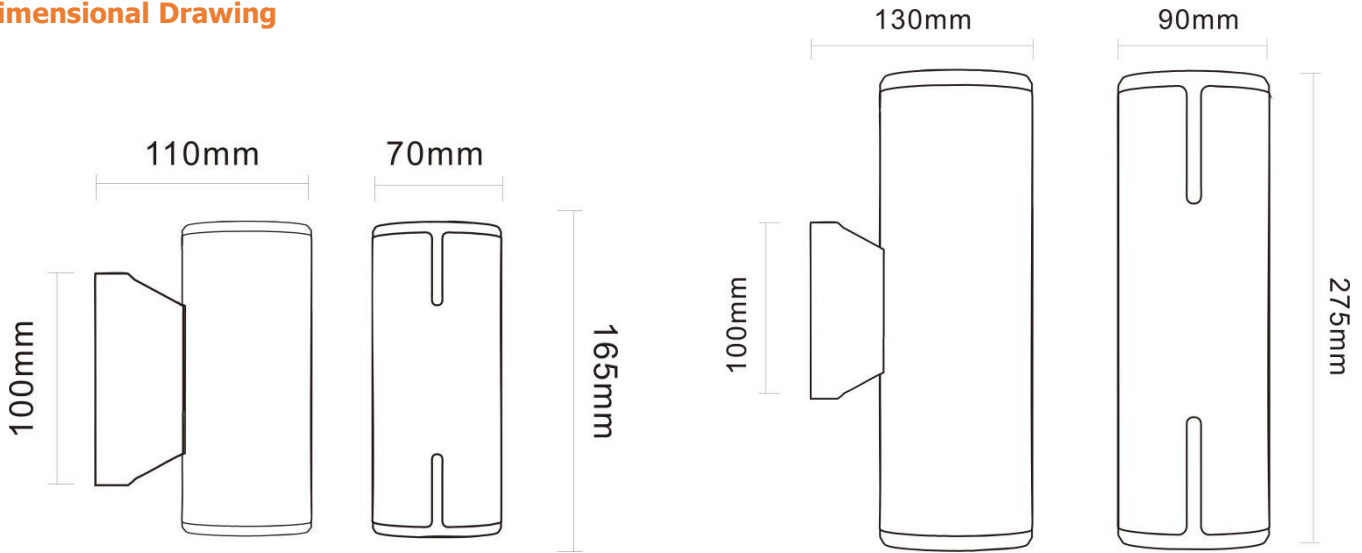
Temperature

| | |
|-----------------------|----------------|
| Operating Temperature | -45 °C ~ 50 °C |
| Testing Temperature | -45 °C ~ 80 °C |

Packing Data

| Item No | PCS/CTN | Gross Weight KG | Net Weight KG | Length CM | Width CM | Height CM |
|--------------|---------|--------------------|------------------|--------------|-------------|--------------|
| LPWL-08C01-Y | 20 | 8.2 | 7.3 | 39 | 35 | 25 |
| LPWL-12C01-Y | 10 | 8 | 7.2 | 48.5 | 29 | 29 |

Dimensional Drawing



| Item No | Power | Diameter (mm) | Height (mm) |
|--------------|-------|------------------|----------------|
| LPWL-08C01-Y | 8W | 70 | 165 |
| LPWL-12C01-Y | 12W | 90 | 275 |

Average Illumination

Planar Intensity Distribution Curve

! ambient lighting
no beam angle parameters

