



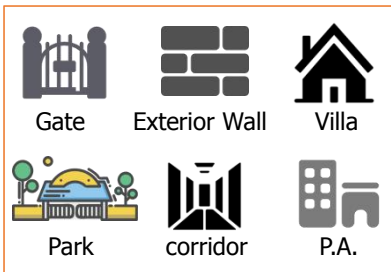
### Features

- ✓ CCT Adjustable
- ✓ CRI>83
- ✓ IP65 Waterproof
- ✓ No Flicker
- ✓ Up&Down and Side Lit

### Benefits

- ✓ High Energy Saving
- ✓ High Efficiency
- ✓ Eye Protection
- ✓ Long Life Time
- ✓ Private Mold

### Application



### Certificate



26869

**Liper Elektro GmbH**

Diese Leuchte enthält eingebaute LED-Lampen

LED

Die Lampen Können in der leuchte nicht ausgetauscht werden

874/2012

26869

**Liper Elektro GmbH**

This light contains built-in LED lamps

LED

The lamps cannot be replaced inside the light

874/2012

### specifications

Item Number	Power (W)	Power Factor	Lumen (lm)	Efficiency (lm/W)	Input Current	CRI	Color Temperature	Life Time (hrs)
LPWL-10C01-Y	10W	>0.5	550-600	55 ± 10	90mA	>83	3000K	50000
LPWL-10C01-Y	10W	>0.5	550-600	55 ± 10	90mA	>83	4000K	50000
LPWL-10C01-Y	10W	>0.5	550-600	55 ± 10	90mA	>83	6500K	50000
LPWL-10C01-Y	10W	>0.5	550-600	55 ± 10	90mA	>83	CCT	50000



Technical specifications

On/Off Cycles	100,000
Color Tolerance Adjustment (SDCM)	<6
IP	65
Class	I
LED Driver	DOB
LED Beads	2835 3V/150MA
Housing Color	Black/White
Pressure Resistant	1500V
Wire Diameter and Material	0.75 mm <sup>2</sup> Copper Wire

Electrical Supply

Power Range	9-11W
Frequency (Hz)	50/60
Voltage (V)	100-240
AC/DC	AC
Input Current	90mA
Output Voltage	DC57V
Output Current	160mA

Lights Material

Housing Material	Die-Casting Aluminum
Optical Material	Plastic

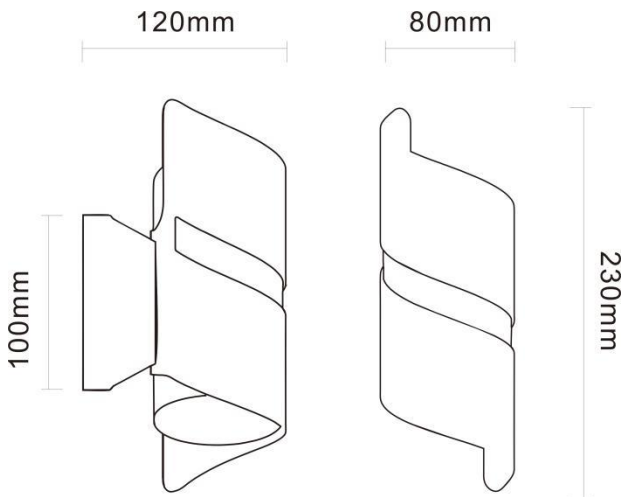
Temperature

Operating Temperature	-45 °C ~ 50 °C
Testing Temperature	-45 °C ~ 80 °C

**Packing Data**

Item No	PCS/CTN	Gross Weight KG	Net Weight KG	Length CM	Width CM	Height CM
LPWL-10C01-Y	10	6.8	6.3	44	24.5	27

**Dimensional Drawing**



Item No	Power	Diameter (mm)	Height (mm)
LPWL-10C01-Y	10W	80	230

**Average Illumination**

**Planar Intensity Distribution Curve**

**! ambient lighting**  
**no beam angle parameters**

