



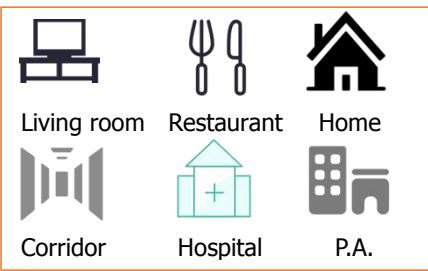
**Features**

- ✓ CRI>83
- ✓ IP44
- ✓ CCT Adjustable
- ✓ No Flicker UGR<19
- ✓ External cooling base

**benefits**

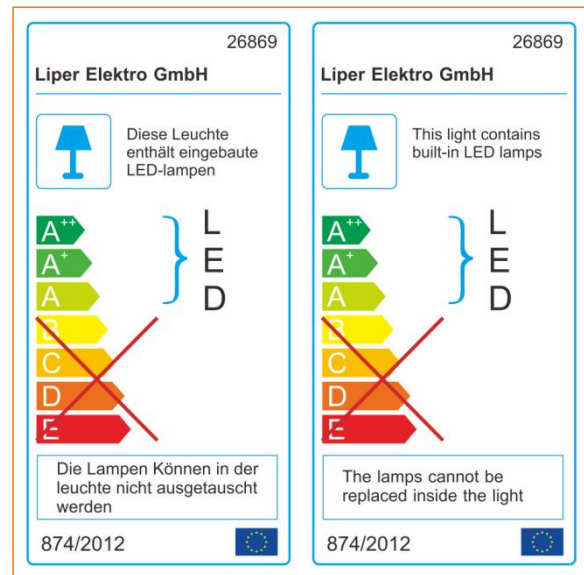
- ✓ High Energy Saving
- ✓ High Efficiency
- ✓ Eye Protection
- ✓ Long Life Time
- ✓ Private Mold

**Application**



Living room   Restaurant   Home  
Corridor   Hospital   P.A.

**Certificate**

26869  
Liper Elektro GmbH  
Diese Leuchte enthält eingebaute LED-Lampen  
A+ A A E C D E } LED  
Die Lampen Können in der Leuchte nicht ausgetauscht werden  
874/2012

26869  
Liper Elektro GmbH  
This light contains built-in LED lamps  
A+ A A E C D E } LED  
The lamps cannot be replaced inside the light  
874/2012

**specifications**

Item Number	Power (W)	Power Factor	Lumen (lm)	Efficiency (lm/W)	Input Current	CRI	Color Temperature	Life Time (hrs)
LPCL-10H01-Y	10W	>0.5	850-935	85±10%	88mA	>83	3000K	50000
LPCL-10H01-Y	10W	>0.5	850-935	85±10%	88mA	>83	4000K	50000
LPCL-10H01-Y	10W	>0.5	850-935	85±10%	88mA	>83	6500K	50000
LPCL-10H01-Y	10W	>0.5	850-935	85±10%	88mA	>83	CCT Adjustable	50000
LPCL-10H01-YB	10W	>0.5	850-935	85±10%	88mA	>83	3000K	50000
LPCL-10H01-YB	10W	>0.5	850-935	85±10%	88mA	>83	4000K	50000
LPCL-10H01-YB	10W	>0.5	850-935	85±10%	88mA	>83	6500K	50000
LPCL-10H01-YB	10W	>0.5	850-935	85±10%	88mA	>83	CCT Adjustable	50000



## Technical specifications

On/Off Cycles	>1000,000
Color Tolerance Adjustment (SDCM)	<6
IP	44
Class	II
LED Driver	DOB
LED Beads	S13-11.2 DC30V/300MA
Housing Color	Black/White
Pressure Resistant	3000V
Wire Diameter and Material	0.75 m <sup>2</sup> Copper Wire

## Electrical Supply

Power range	9-11W
Frequency (Hz)	50/60
Voltage (V)	100-240V
AC/DC	AC
Input Current	88mA
Output Voltage	DC30V
Output Current	270mA

## Lights Material

Housing Material	Die-Casting Aluminum
Optical Material	Plastic

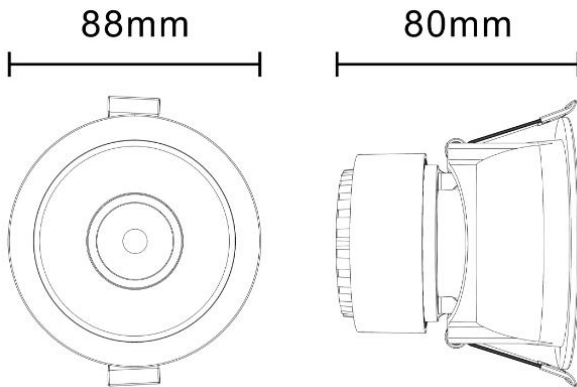
## Temperature

Operating Temperature	-15°C ~ 50 °C
Testing Temperature	-20°C ~ 95 °C

**Packing Data**

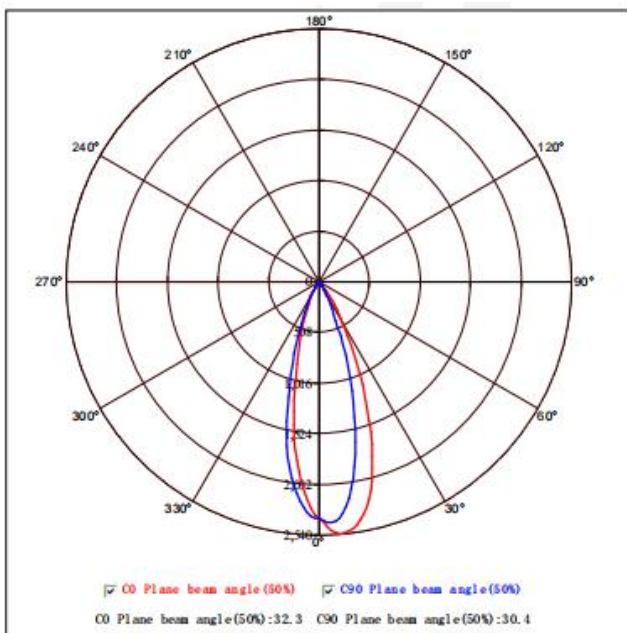
Item No	PCS/CTN	Gross Weight KG	Net Weight KG	Length CM	Width CM	Height CM
LPCL-10H01-Y	30	5.6	5.4	48	19	36
LPCL-10H01-YB	30	5.6	5.4	48	19	36

**Dimensional Drawing**



Item No	Power	Product size (mm)	Cut size (mm)
LPCL-10H01-Y	10W	85*88	75-80
LPCL-10H01-YB	10W	85*88	75-80

**Planar Intensity Distribution Curve**



**Average Illumination**

