

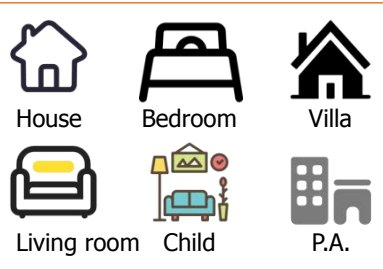
### Features

- ✓ CRI>90
- ✓ Eye-Protection
- ✓ Anti Blue Light
- ✓ No Flicker UGR<19
- ✓ Multiple Colour

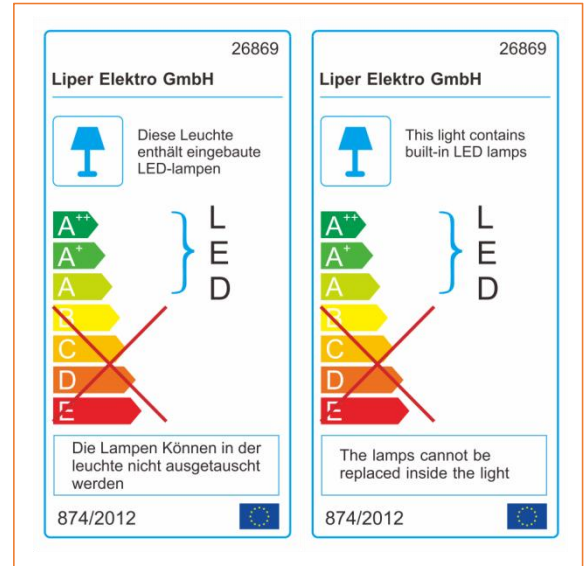
### Benefits

- ✓ High Energy Saving
- ✓ High Efficiency
- ✓ Eye Protection
- ✓ Long Life Time
- ✓ Private Mold

### Application



### Certificate



### Seven Colors Frame



### Specifications

Item Number	Power (W)	Power Factor	Lumen (lm)	Efficiency (lm/W)	Input Current	CRI	Color Temperature	Life Time (hrs)
LPDL-40MW01-Y	40W	>0.5	3600	90±10	350mA	>90	CW/NW/WM/CCT	50000
LPDL-50MW01-Y	50W	>0.5	4500	90±10	450mA	>90	CW/NW/WM/CCT	50000



## Technical specifications

On/Off Cycles	>100,000
Color Tolerance Adjustment (SDCM)	<6
IP	44
Class	II
LED Driver	Non-isolated constant current
LED Beads	2835 3V/150MA 0.5W
Housing Color	White/Black/Gold/Wooden/Blue/Pink/Silver
Pressure Resistant	3000V
Wire Diameter and Material	0.75 mm <sup>2</sup> Copper Wire

## Electrical Supply

Power Range	36-44W	45-55W
Frequency (Hz)	50/60	50/60
Voltage (V)	100-240	100-240
AC/DC	AC	AC
Input Current	350mA	450mA
Output Voltage	DC114V	DC144V
Output Current	315mA	315mA

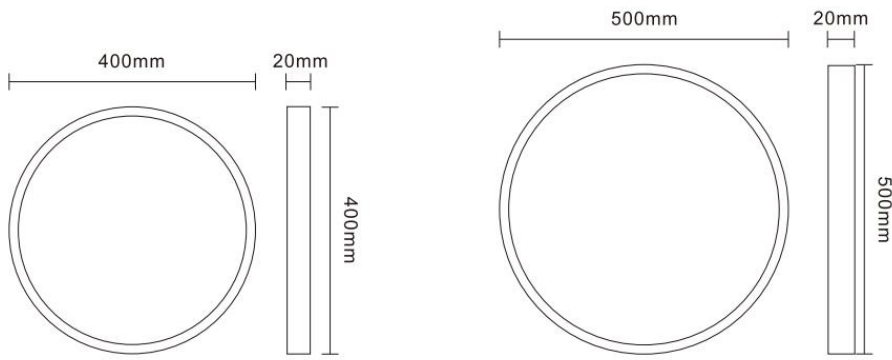
## Lights Material

Housing Material	Plastic
Optical Material	Plastic

## Temperature

Operating Temperature	-15°C ~ 50 °C
Testing Temperature	-20°C ~ 95 °C

### Dimensional Drawing

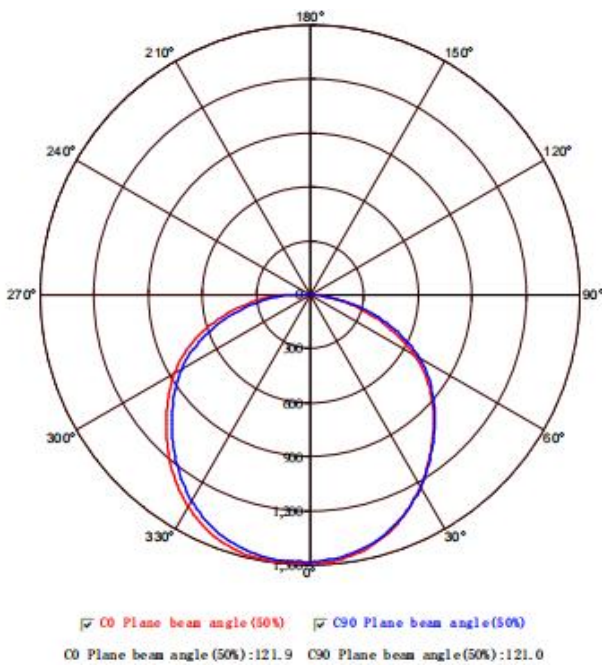


Item No	Power	Diameter (mm)	Height (mm)
LPDL-40MW01-Y	40W	400	20
LPDL-50MW01-Y	50W	500	20

### Packing Data

Item No	PCS/CTN	Gross Weight KG	Net Weight KG	Length CM	Width CM	Height CM
LPDL-40MW01-Y	10	14	10.9	40.5	37.5	42.5
LPDL-50MW01-Y	10	16.4	13.3	50.5	37.5	52.5

### Planar Intensity Distribution Curve



### Average Illumination

