



Features

- ✓ CRI>83
- ✓ Elegant Light
- ✓ No Flicker
- ✓ UGR<19
- ✓ Wide Range of Wattage

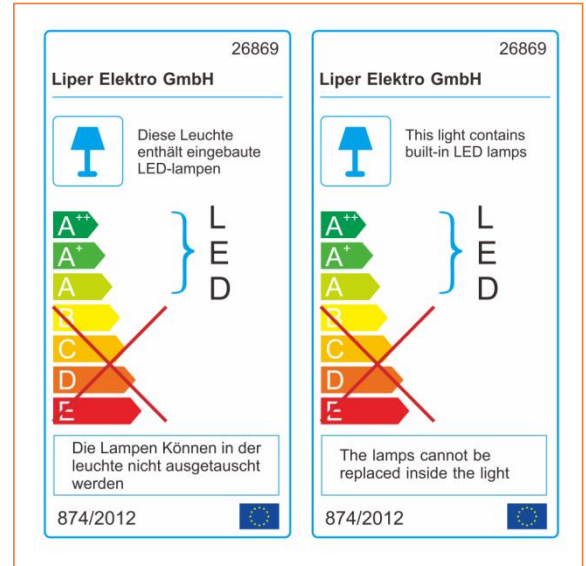
Benefits

- ✓ High Energy Saving
- ✓ High Efficiency
- ✓ Eye Protection
- ✓ Long Life Time
- ✓ Private Mold

Application



Certificate



Specifications

Item Number	Power (W)	Power Factor	Lumen (lm)	Efficiency (lm/W)	Input Current	CRI	Color Temperature	Life Time (hrs)
LP-COB07BX01	7W	>0.5	550-650	80±10	60mA	>83	WW/CW/NW	50000
LP-COB10BX01	10W	>0.5	850-950	80±10	90mA	>83	WW/CW/NW	50000
LP-COB15BX01	15W	>0.5	1350-1450	80±10	140mA	>83	WW/CW/NW	50000
LP-COB20BX01	20W	>0.5	1750-1900	80±10	180mA	>83	WW/CW/NW	50000
LP-COB30BX01	30W	>0.5	2550-2650	80±10	270mA	>83	WW/CW/NW	50000
LP-COB40BX01	40W	>0.5	3450-3550	80±10	360mA	>83	WW/CW/NW	50000
LP-COB50BX01	50W	>0.5	4350-4450	80±10	450mA	>83	WW/CW/NW	50000



Technical specifications

On/Off Cycles	>100,000
Color Tolerance Adjustment (SDCM)	<6
IP	44
Class	II
LED Driver	External non-isolated power supply
LED Beads	COB S13-11.2 30V/300MA
Housing Color	White
Pressure Resistant	3000V
Wire Diameter and Material	0.75 mm ² Copper Wire

Electrical Supply

Power Range	6.3-7.7W	9-11W	13.5-16.5W	18-22W	27-33W	36-44W	45-55W
Frequency (Hz)	50/60	50/60	50/60	50/60	50/60	50/60	50/60
Voltage (V)	100-240	100-240	100-240	100-240	100-240	100-240	100-240
AC/DC	AC	AC	AC	AC	AC	AC	AC
Input Current	60mA	90mA	140mA	180mA	270mA	360mA	450mA
Output Voltage	DC21V	DC30V	DC45V	DC126V	DC90V	DC120V	DC150V
Output Current	290mA	290mA	290mA	150mA	290mA	290mA	290mA

Lights Material

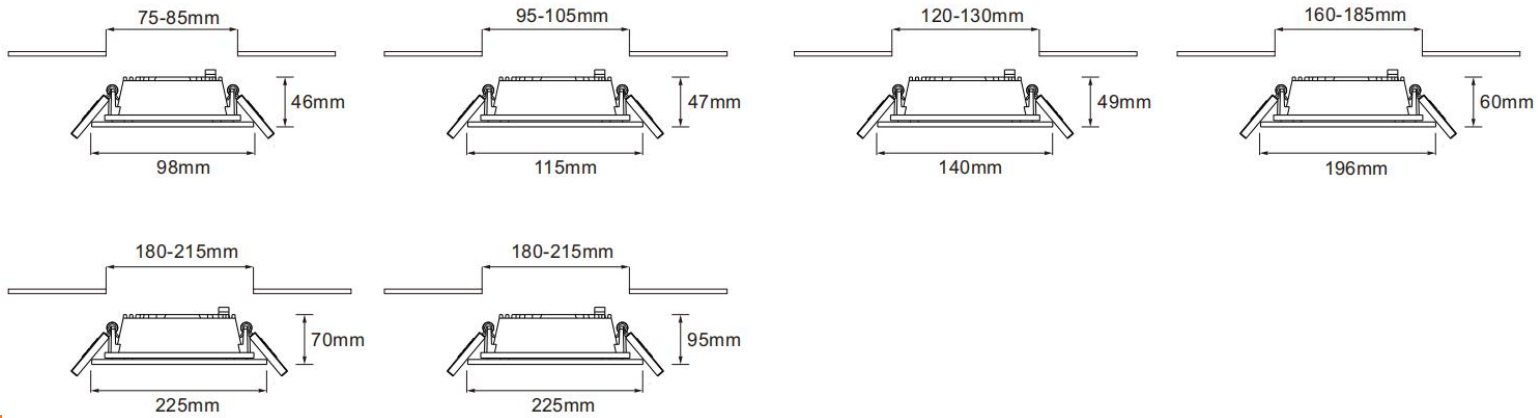
Housing Material	Aluminum
Optical Material	Plastic

Temperature

Operating Temperature	-15°C ~ 50 °C
Testing Temperature	-20°C ~ 95 °C



Dimensional Drawing



Item No	Power	Diameter (mm)	Height (mm)	Cutout size (mm)
LP-COB07BX01	7W	98	46	75-85
LP-COB10BX01	10W	115	47	95-105
LP-COB15BX01	15W	140	49	120-130
LP-COB20BX01	20W	160	50	130-150
LP-COB30BX01	30W	196	60	160-185
LP-COB40BX01	40W	225	70	180-215
LP-COB50BX01	50W	225	95	180-215

Packing Data

Item No	PCS/CTN	Gross Weight KG	Net Weight KG	Length CM	Width CM	Height CM
LP-COB07BX01	32	6.1	4.4	46	25	23.5
LP-COB10BX01	40	9.7	7.2	49.5	32	26
LP-COB15BX01	24	7.1	5.2	43.5	32.2	23.5
LP-COB20BX01	24	7.6	5.6	49	33	27
LP-COB30BX01	12	5.2	3.6	63.5	21.5	28.4
LP-COB40BX01	8	4.9	3.2	49.5	34.5	25.5
LP-COB50BX01	7	5.2	3.9	49.5	34.5	25.5



Planar Intensity Distribution Curve

Average Illumination

